

**Input**

Rated input voltage	100 V ~ 240 V ac
Input voltage range	90 V ~ 255 V ac
Rated frequency	50~60 Hz
Frequency range	47~63 Hz
Rated input current	800 mA RMS max.
Inrush current	30 A max. at 115 / 50 A max. at 230 V ac cool start
Power dissipation	<0.5 W (input: 100 / 240 V ac, output: No Load)

**Output**

Output voltage	6 V dc at 3.3 A
Output min. current	0 A
Line regulation	± 1%
Load regulation	± 5%
Over voltage protection	7.1 ~ 7.9 V dc max. (output shut down)
Short circuit protection	output shut down and auto restart
Ripple voltage	150 mV (p-p) (100~240 V ac at full load)
Efficiency	Energy Star compliant - level IV

**Safety and EMI**

HI-POT	input to output	1500 V ac or 2121 V dc at 10 mA for 1 min.
Insulation resistance	input to output	> 100 M Ohm at 500 V dc
Safety approvals	UL/cUL, CE, GS	
EMI standard	meets FCC class B, VCCI-II	
RoHS compliant	yes	
Leakage current	0.25 mA	

**Environmental**

Storage temperature	-10°C ~ +70° C
Operating temperature	0°C ~ +40° C
Storage humidity	10~90%
Operating humidity	20~80%



**CUI INC**

Part No: ETS060330UTC-P5P-SZ

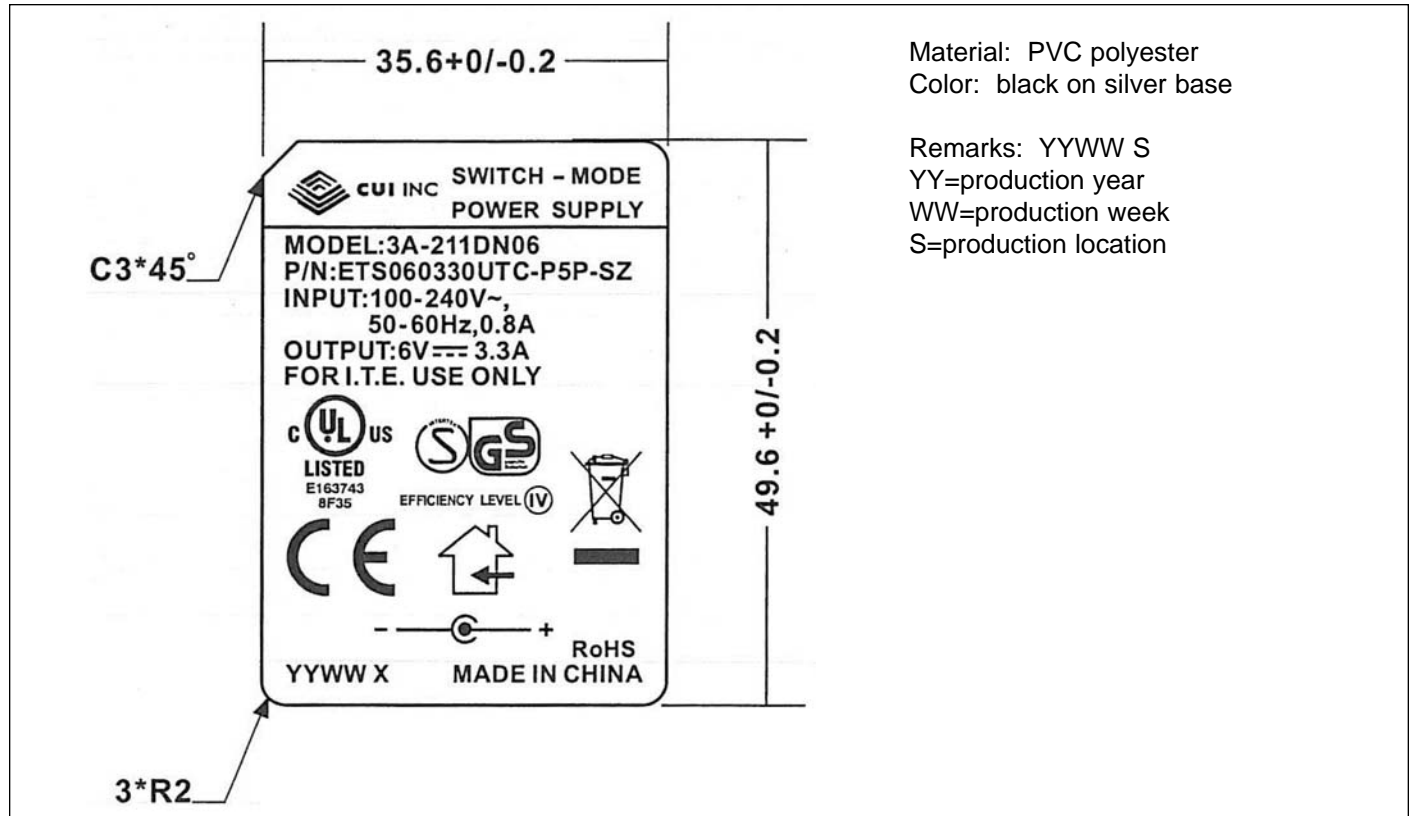
Date: 6/07/2006

Unit: mm

Description: switching power supply

Page No: 2 of 7

**Label**





**CUI INC**

Part No: ETS060330UTC-P5P-SZ

Description: switching power supply

Date: 6/07/2006

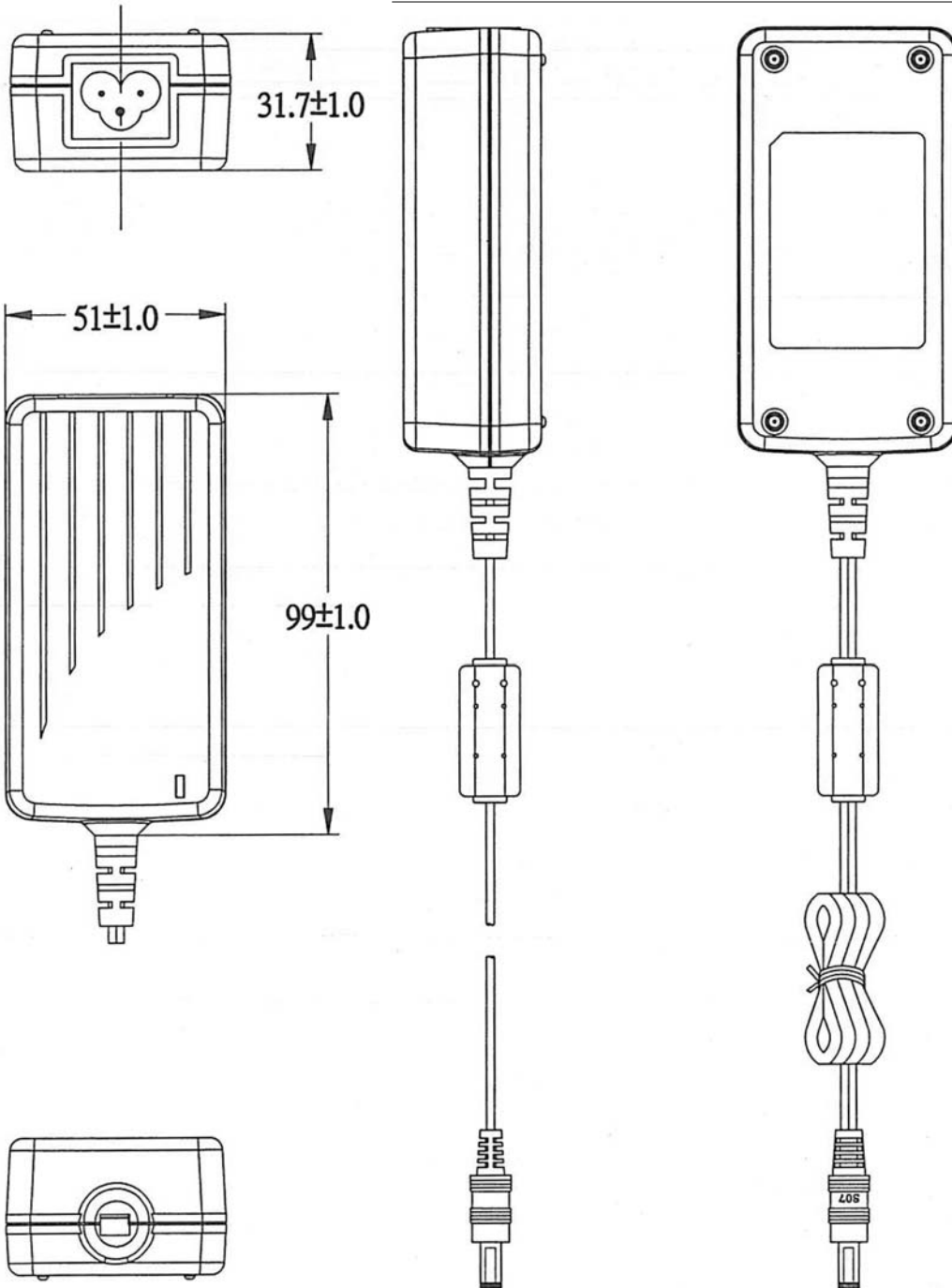
Unit: mm

Page No: 3 of 7

### Mechanical Drawing

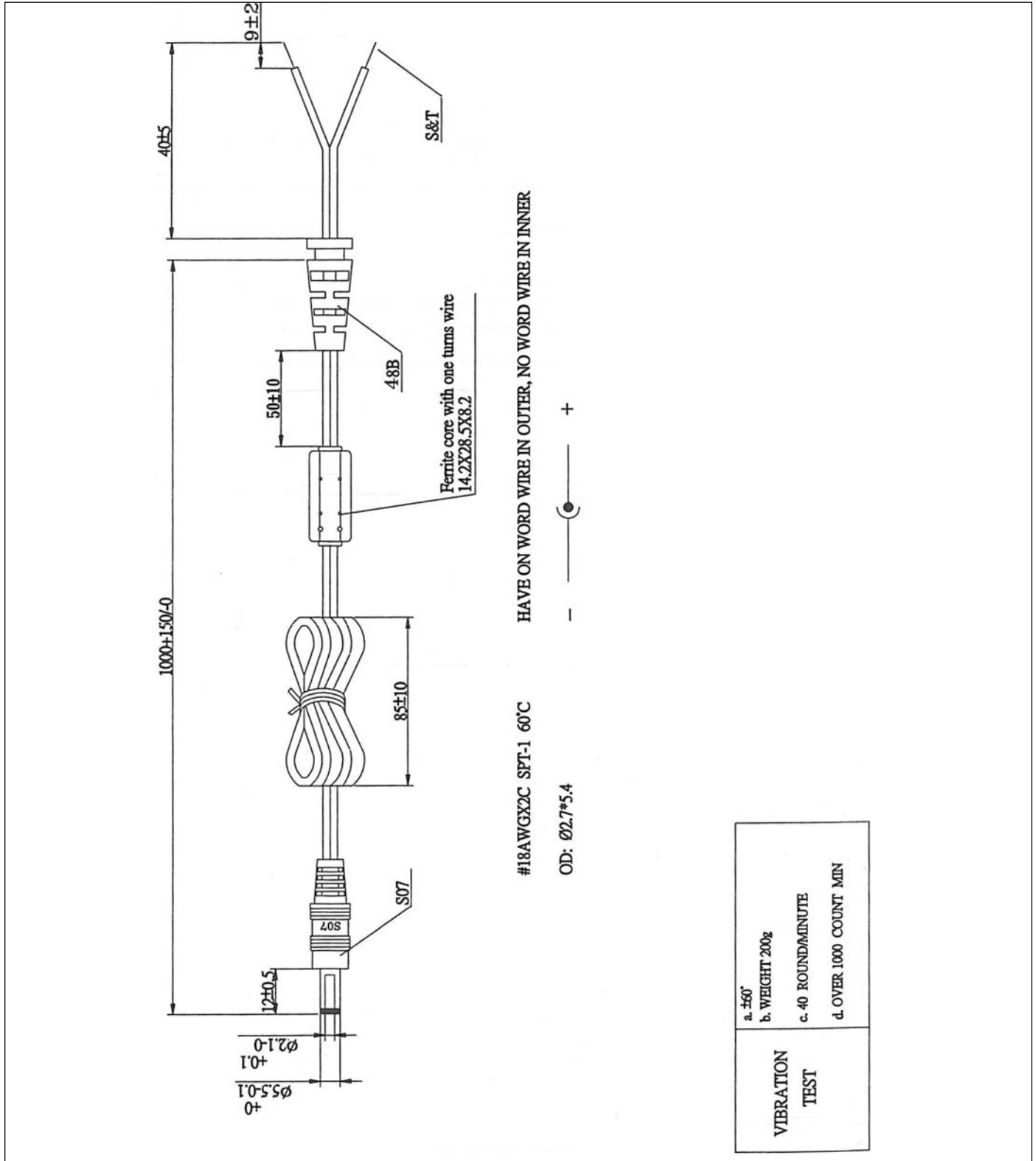
Tolerance:  $\pm 1$

Input plug	Inlet S-02-02C 3Pin Type
Weight	232 g
Case size	99 L x 51 W x 31.7 H mm





DC Cord





**CUI INC**

Part No: ETS060330UTC-P5P-SZ

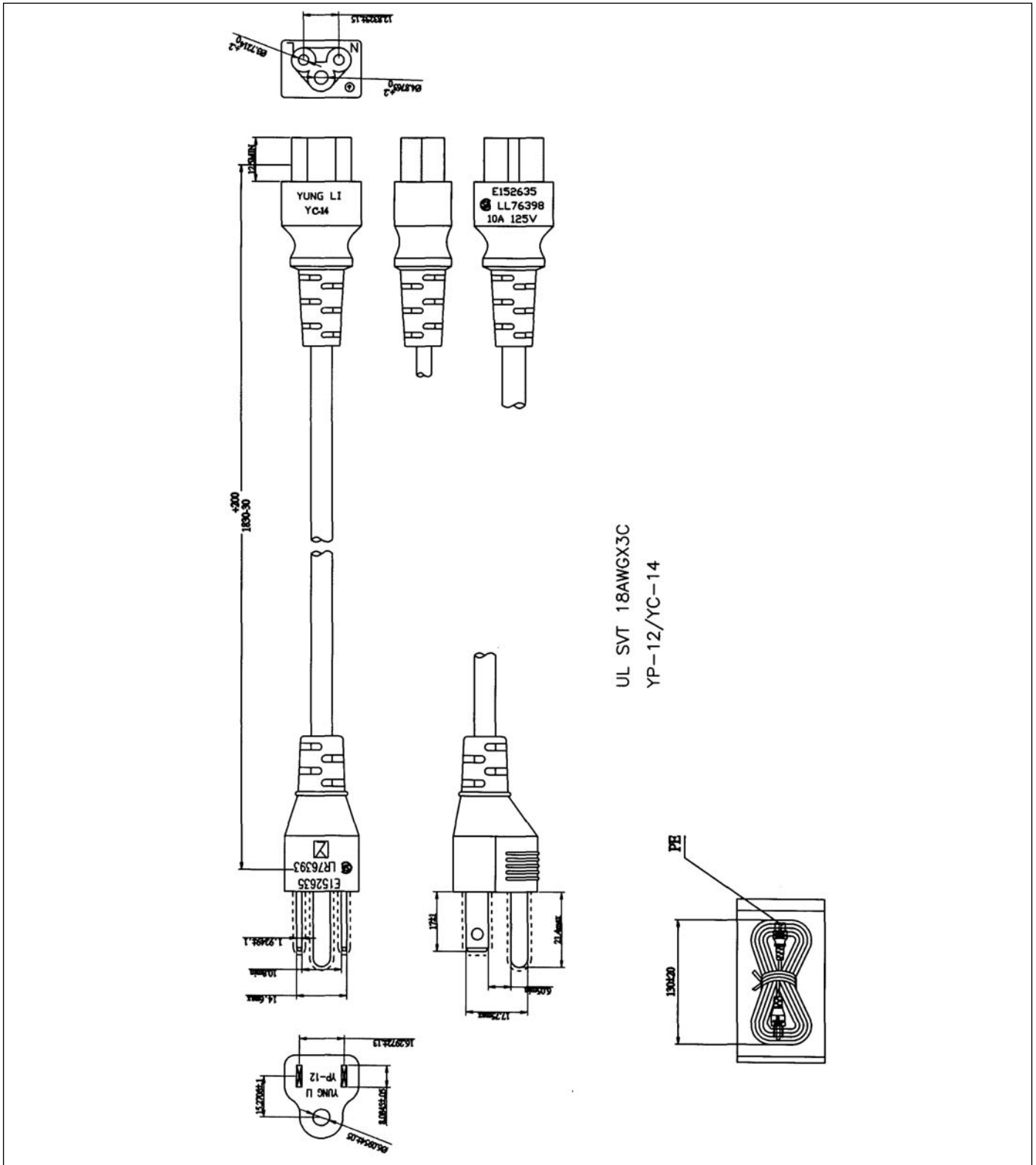
Date: 6/07/2006

Unit: mm

Description: switching power supply

Page No: 5 of 7

### AC Cord





**CUI INC**

Part No: ETS060330UTC-P5P-SZ

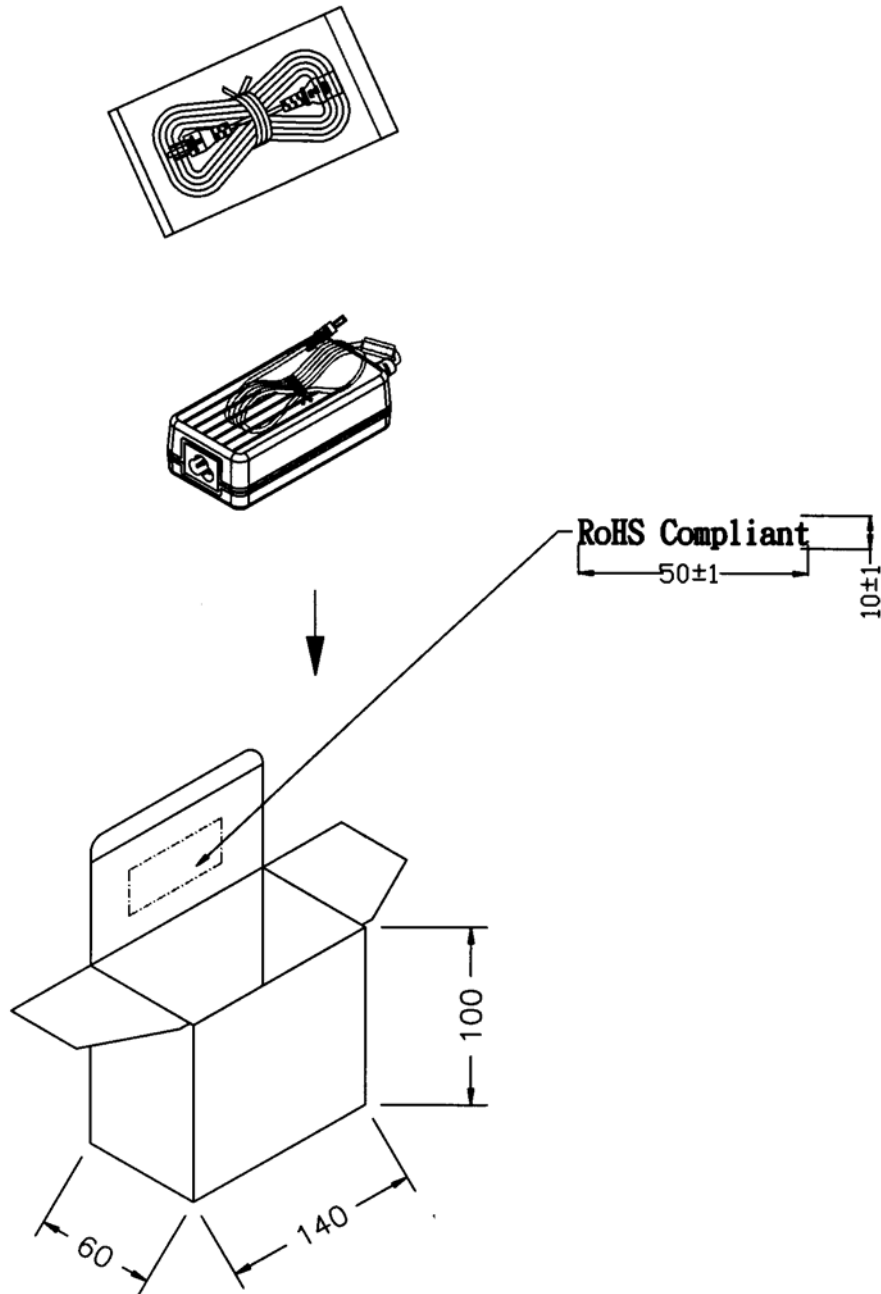
Date: 6/07/2006

Unit: mm

Description: switching power supply

Page No: 6 of 7

### Individual Packaging





**CUI INC**

Part No: ETS060330UTC-P5P-SZ

Description: switching power supply

Date: 6/07/2006

Unit: mm

Page No: 7 of 7

## Packaging

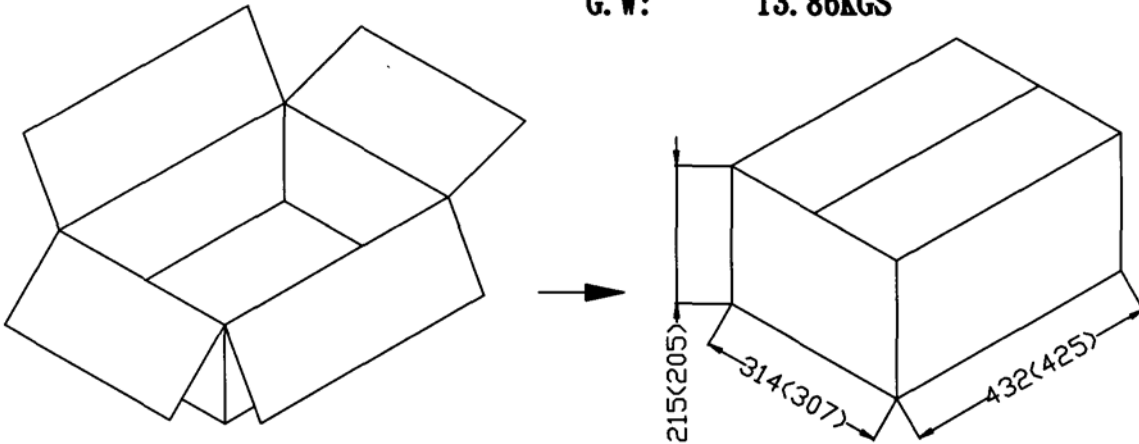
CARTON SIZE: 445X327X235

Q'TY: 30pcs(15X2 )

N. W: 12.36KGS

G. W: 13.06KGS

G. W: 13.86KGS



"RoHS Compliant"

